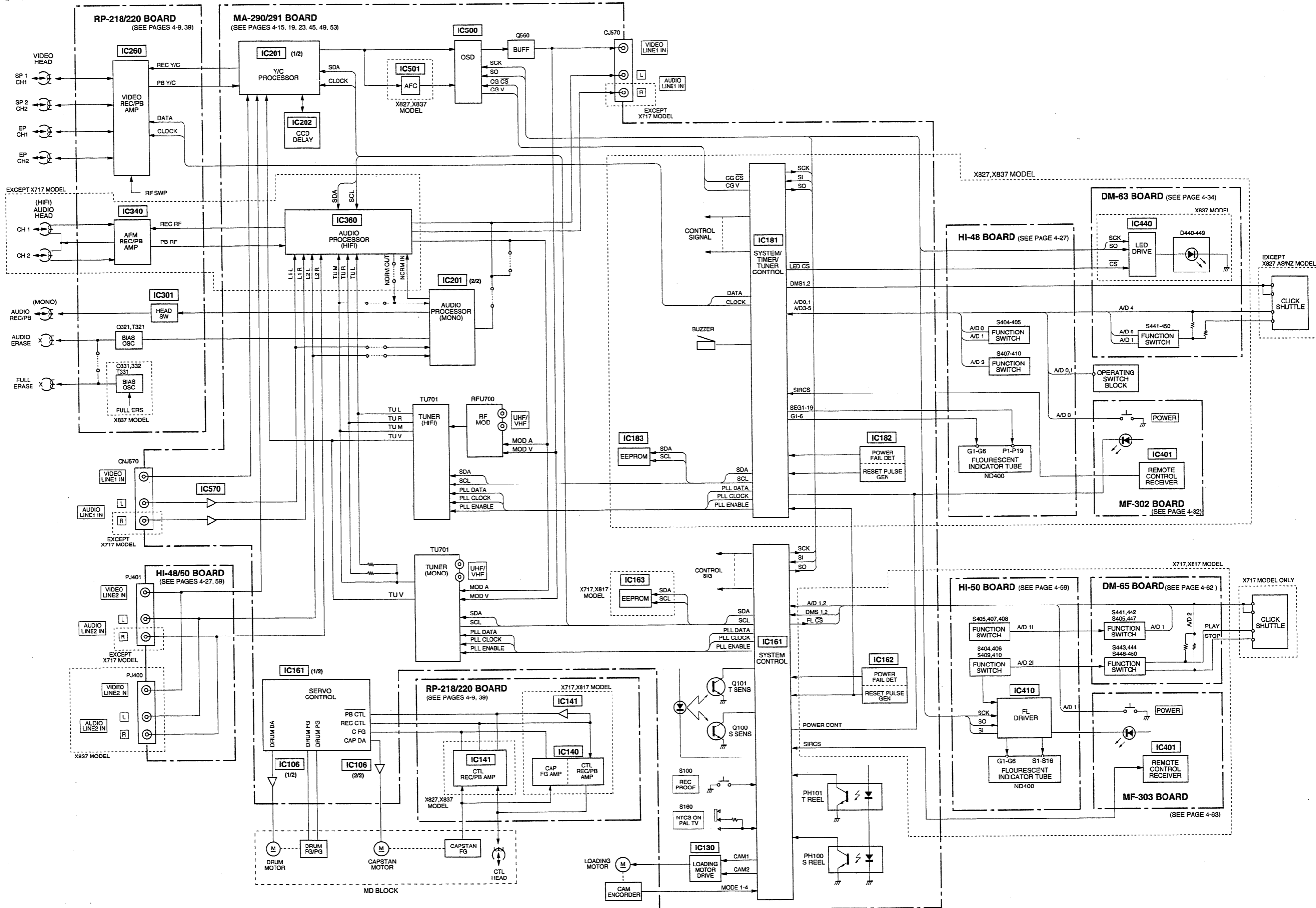
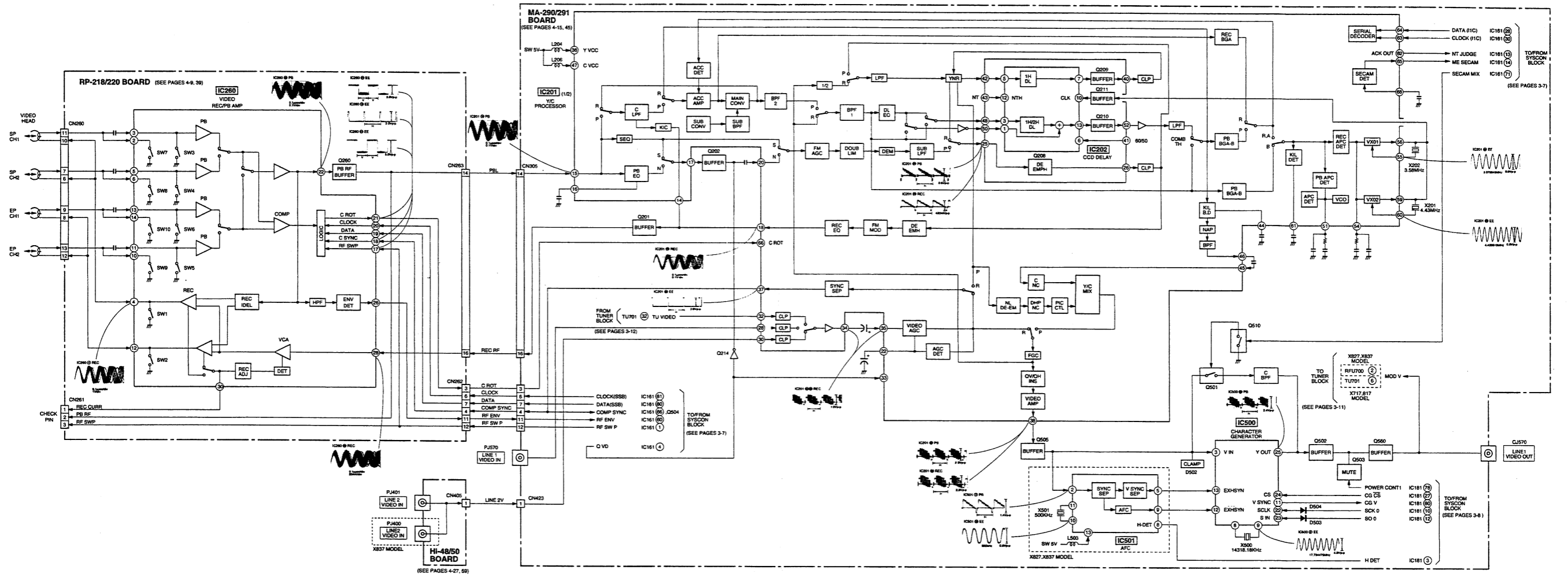


SECTION 3
BLOCK DIAGRAMS

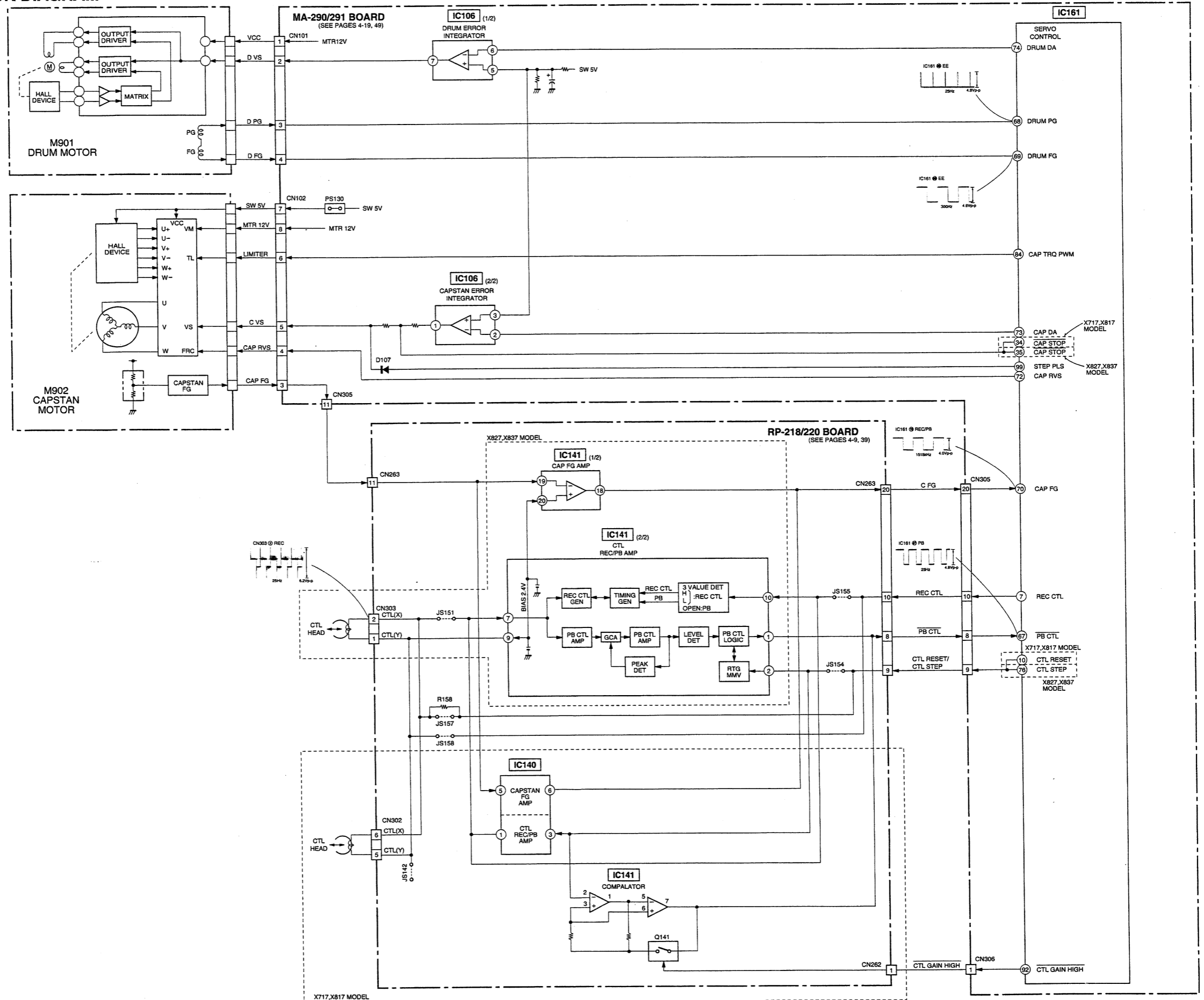
3-1. OVERALL BLOCK DIAGRAM



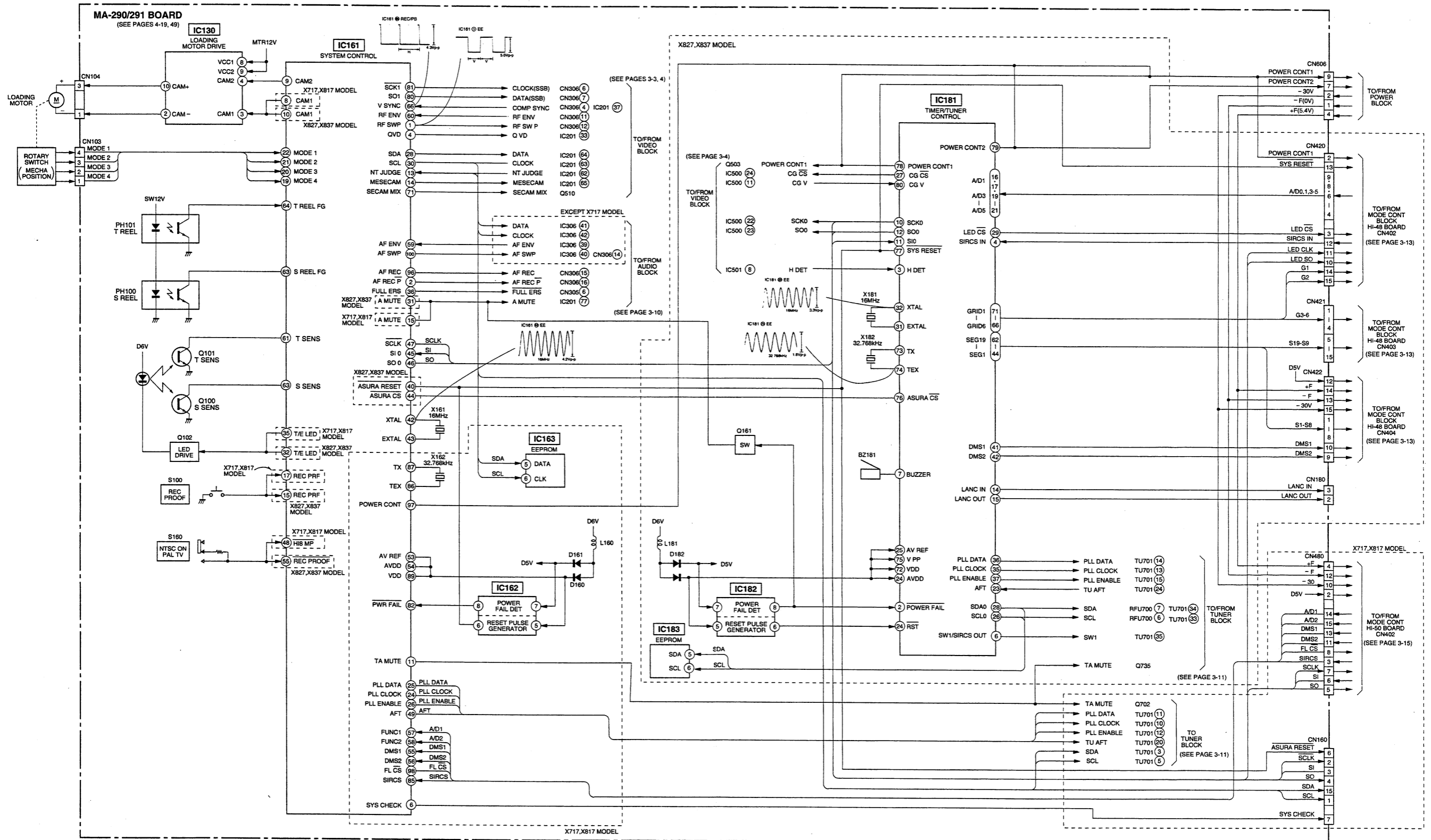
3-2. VIDEO BLOCK DIAGRAM



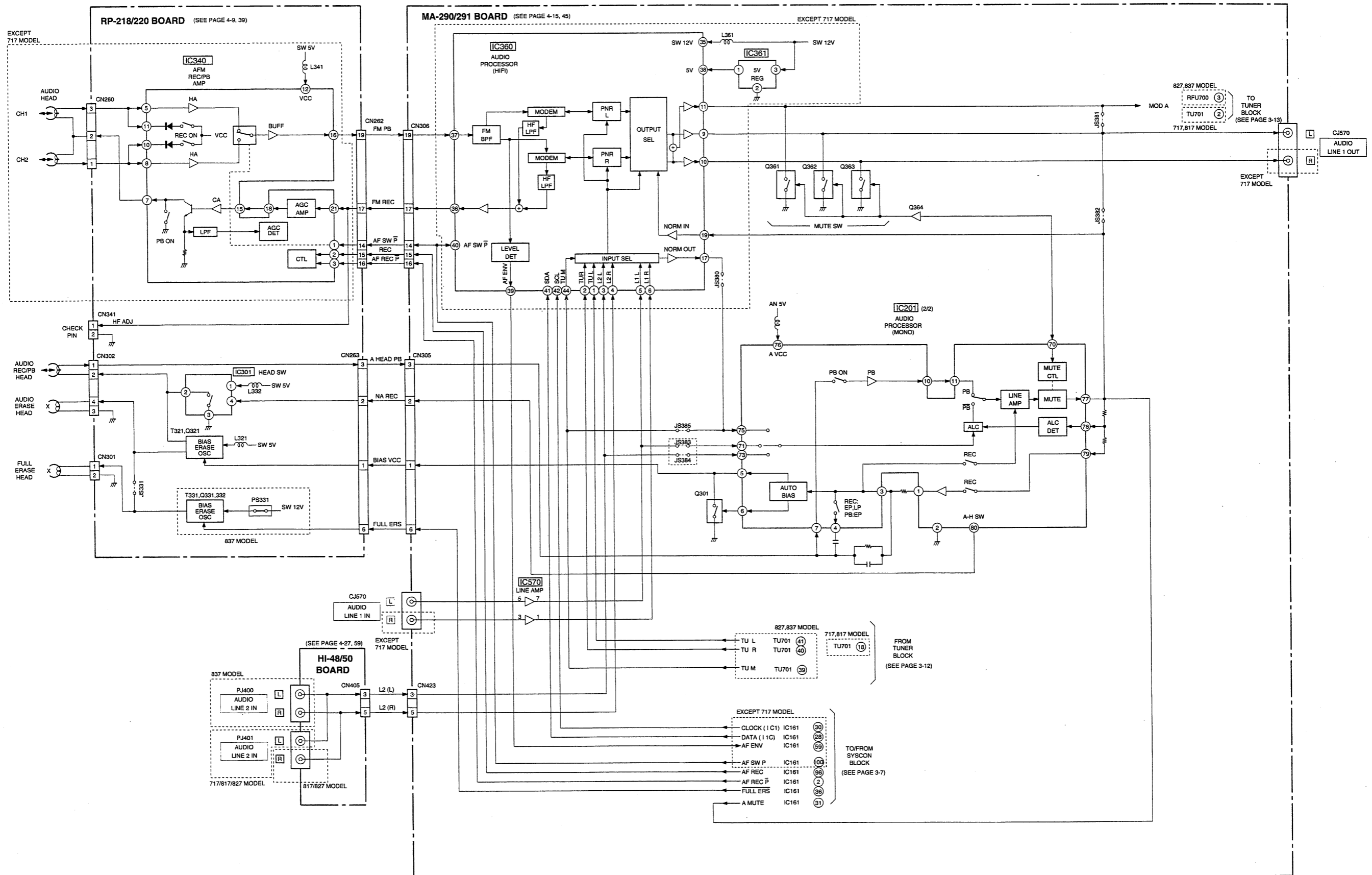
3-3. SERVO BLOCK DIAGRAM



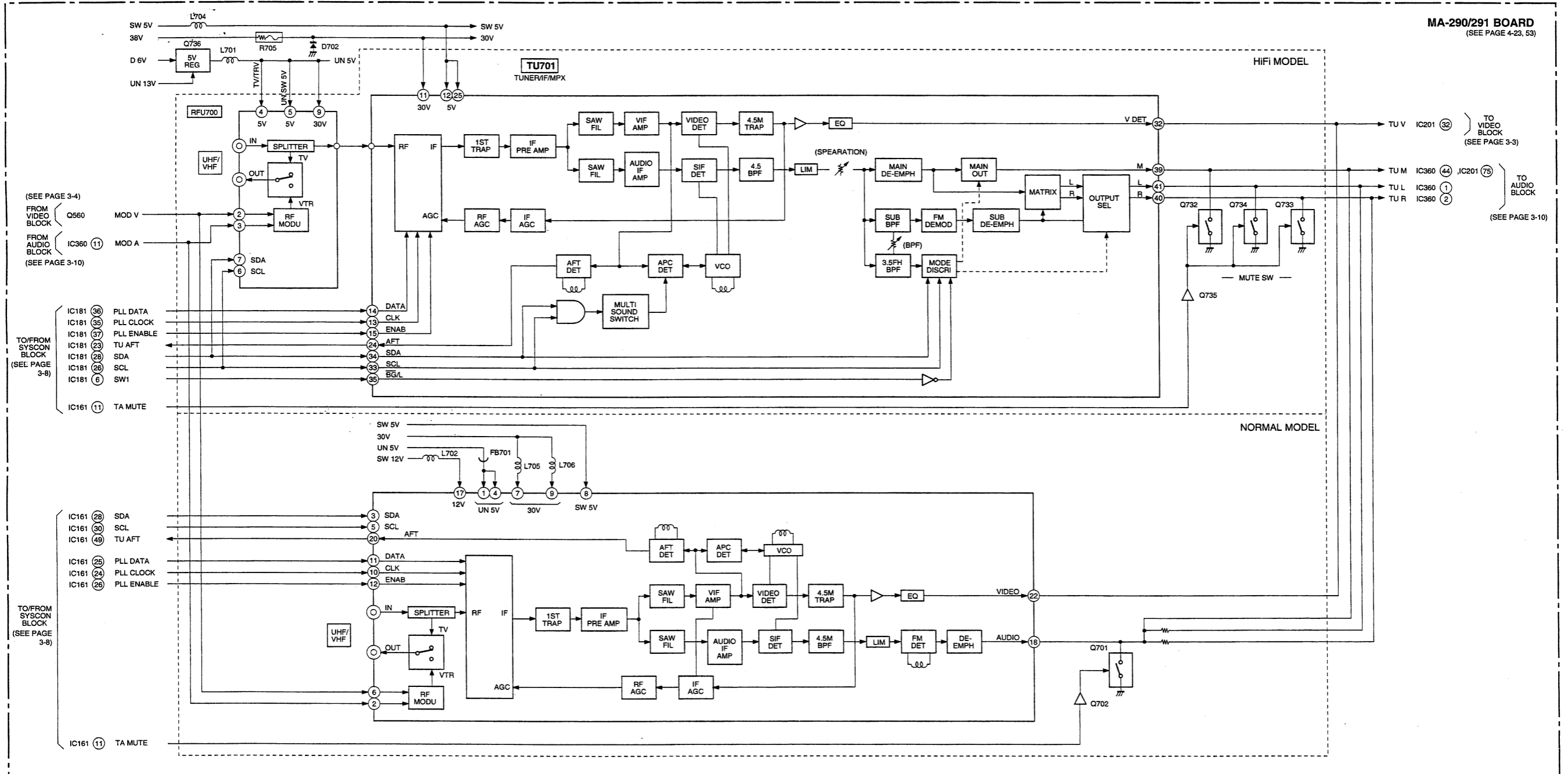
3-4. SYSTEM CONTROL BLOCK DIAGRAM



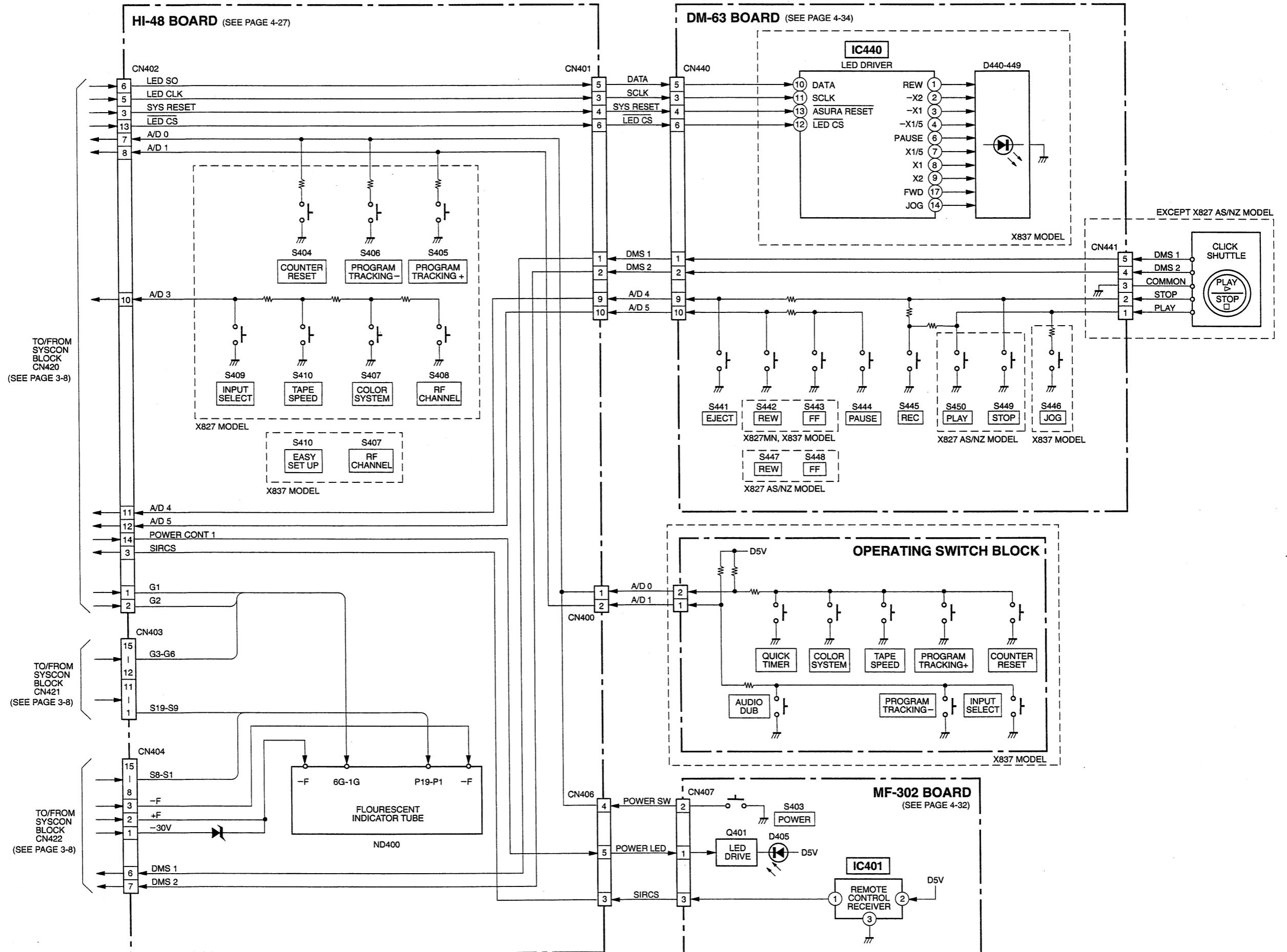
3-5. AUDIO BLOCK DIAGRAM



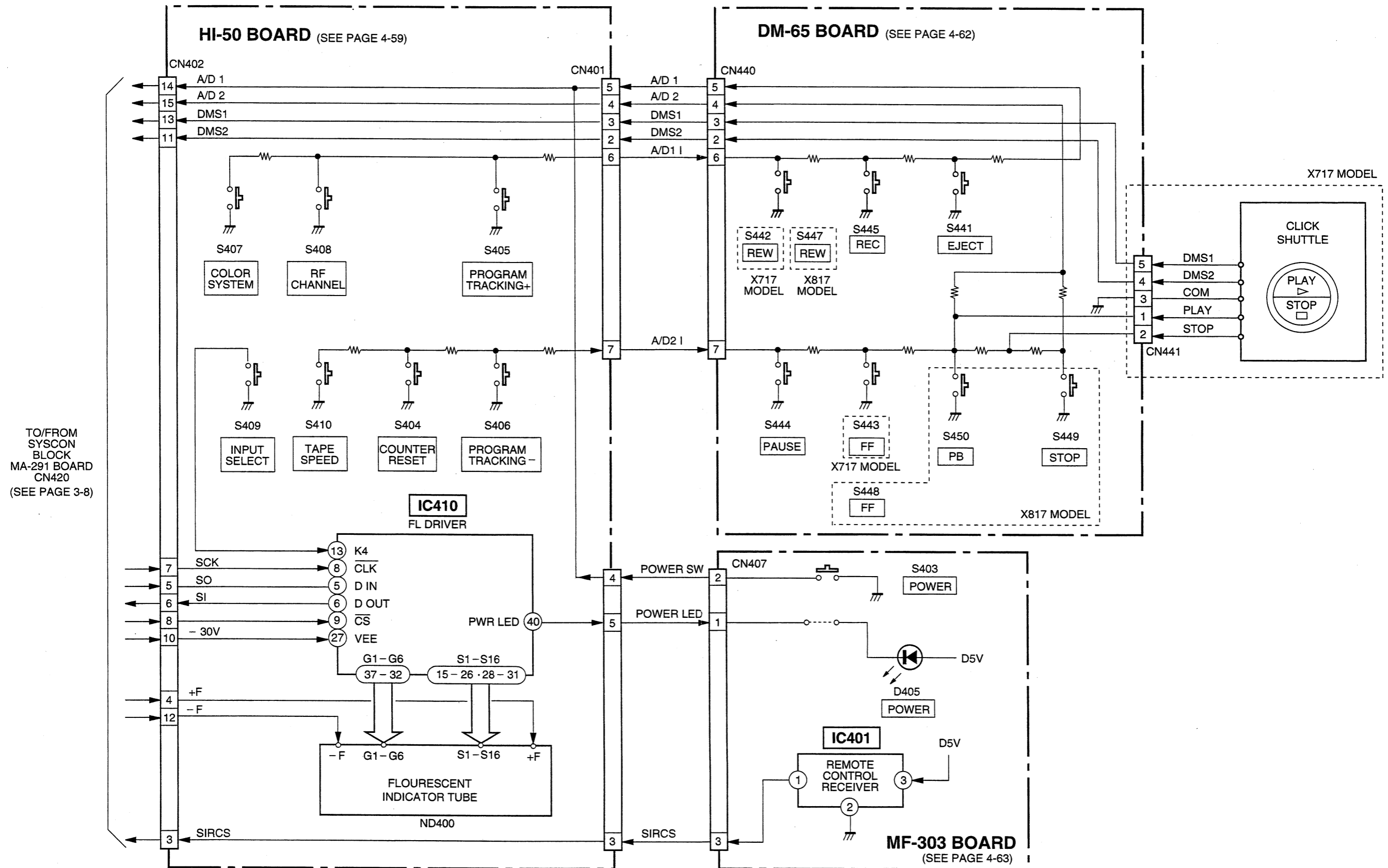
3-6. TUNER BLOCK DIAGRAM



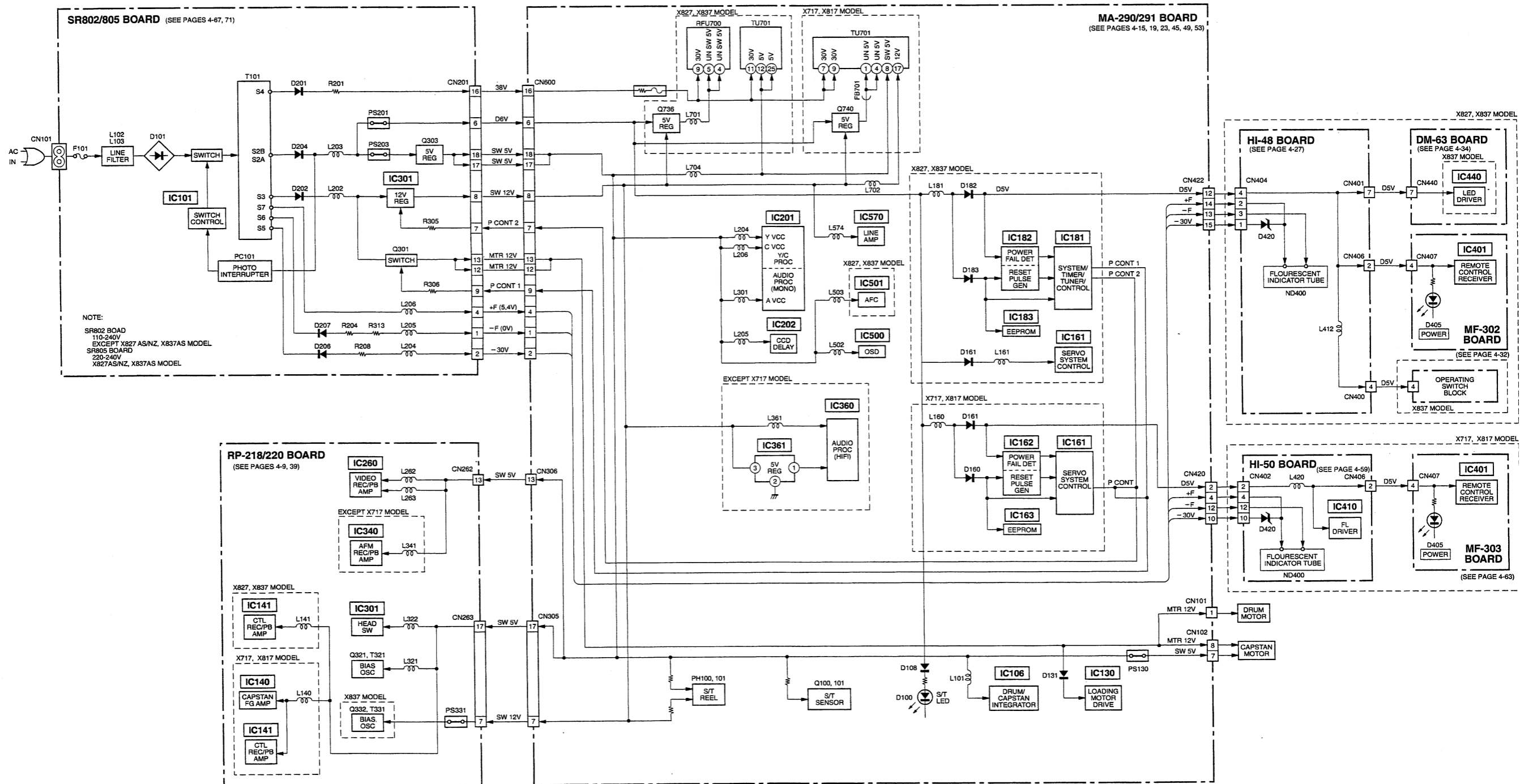
3-7. SLV-X827/X837 MODE CONTROL BLOCK DIAGRAM



3-8. SLV-X717/X817 MODE CONTROL BLOCK DIAGRAM

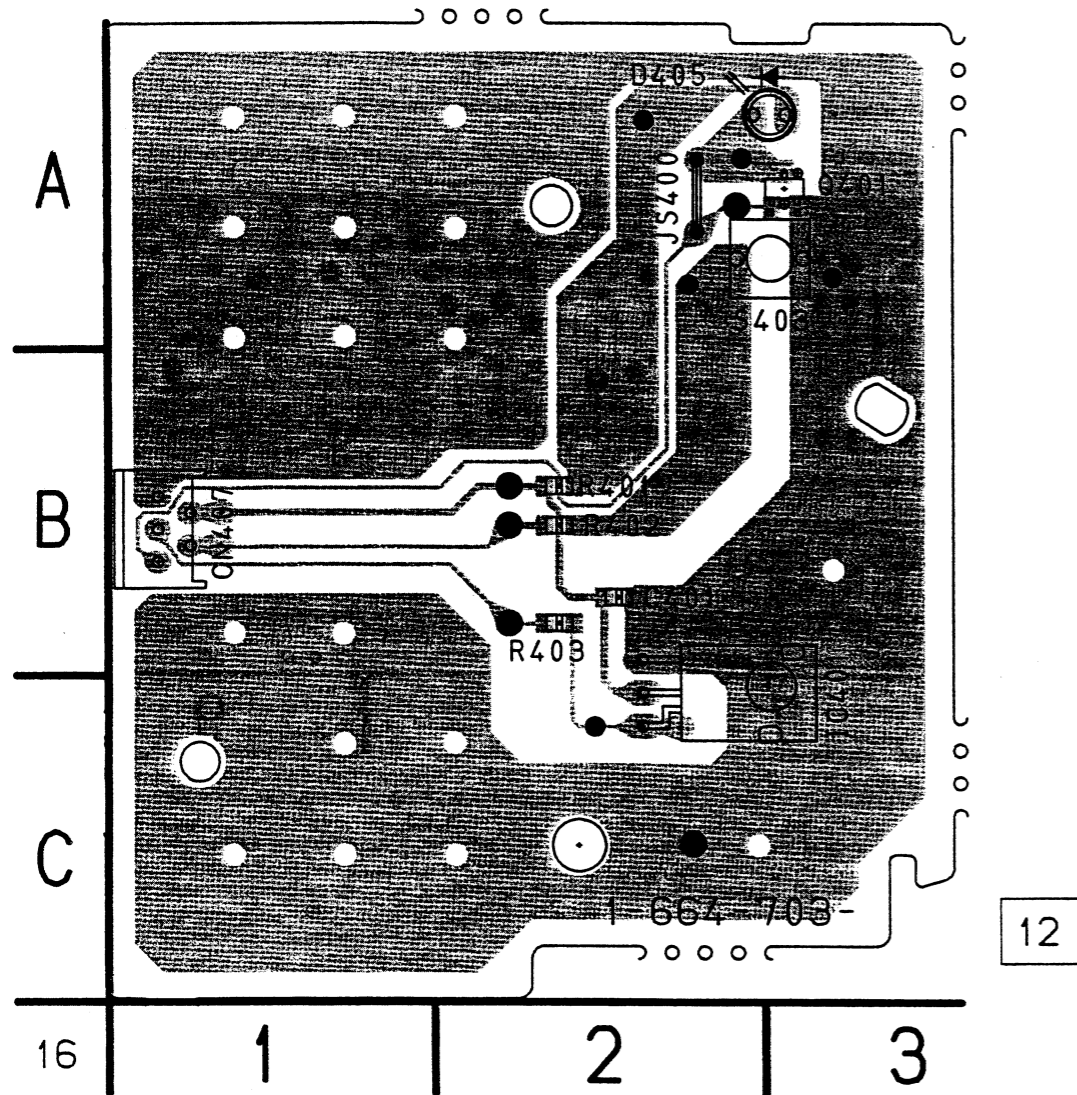


3-9. POWER SUPPLY BLOCK DIAGRAM

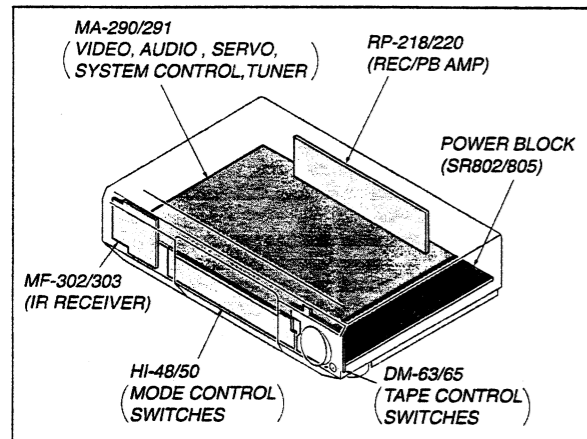
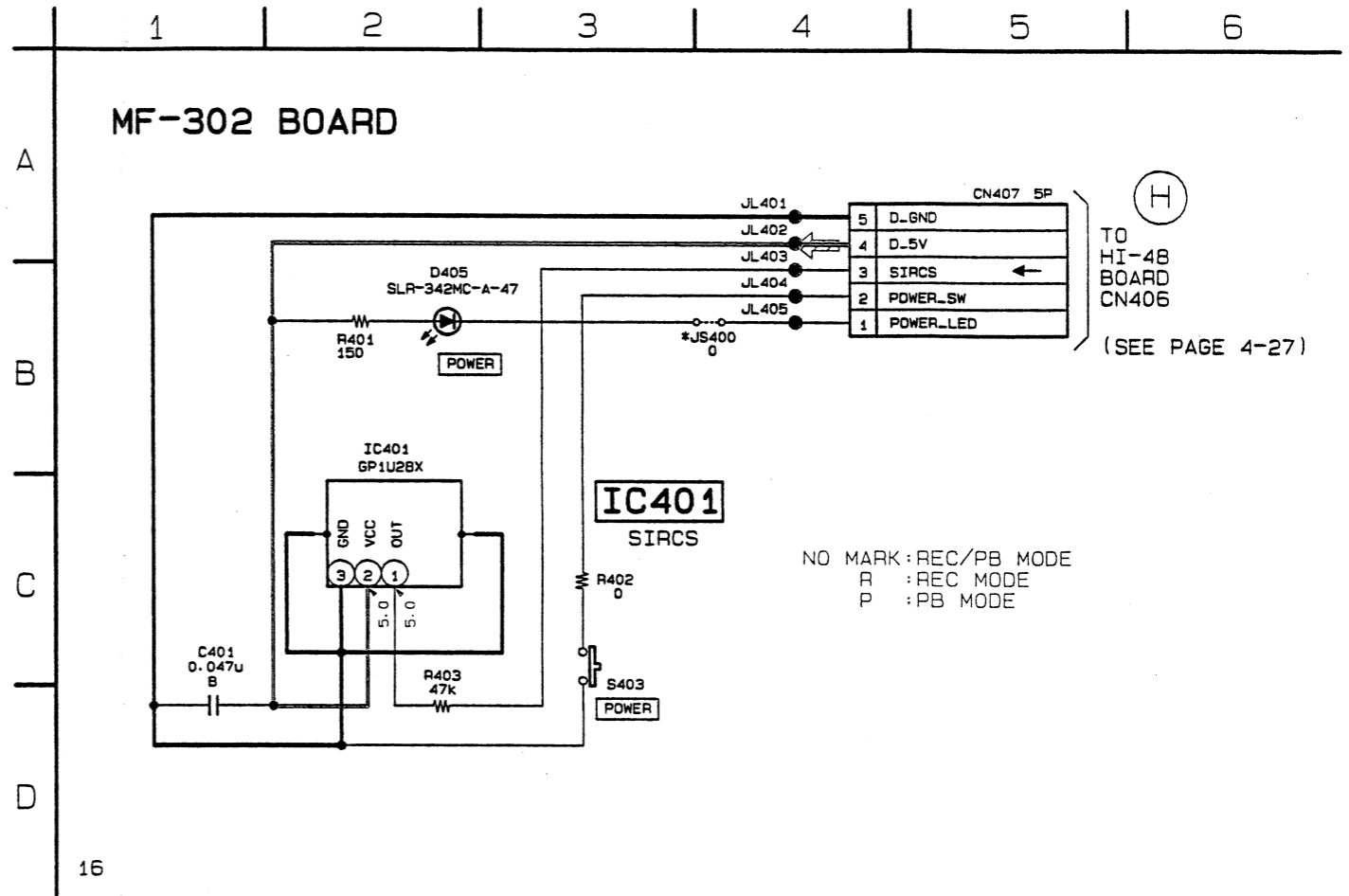


There are few cases that the part printed on this diagram isn't mounted in this model.

MF-302 BOARD (CONDUCTOR SIDE)

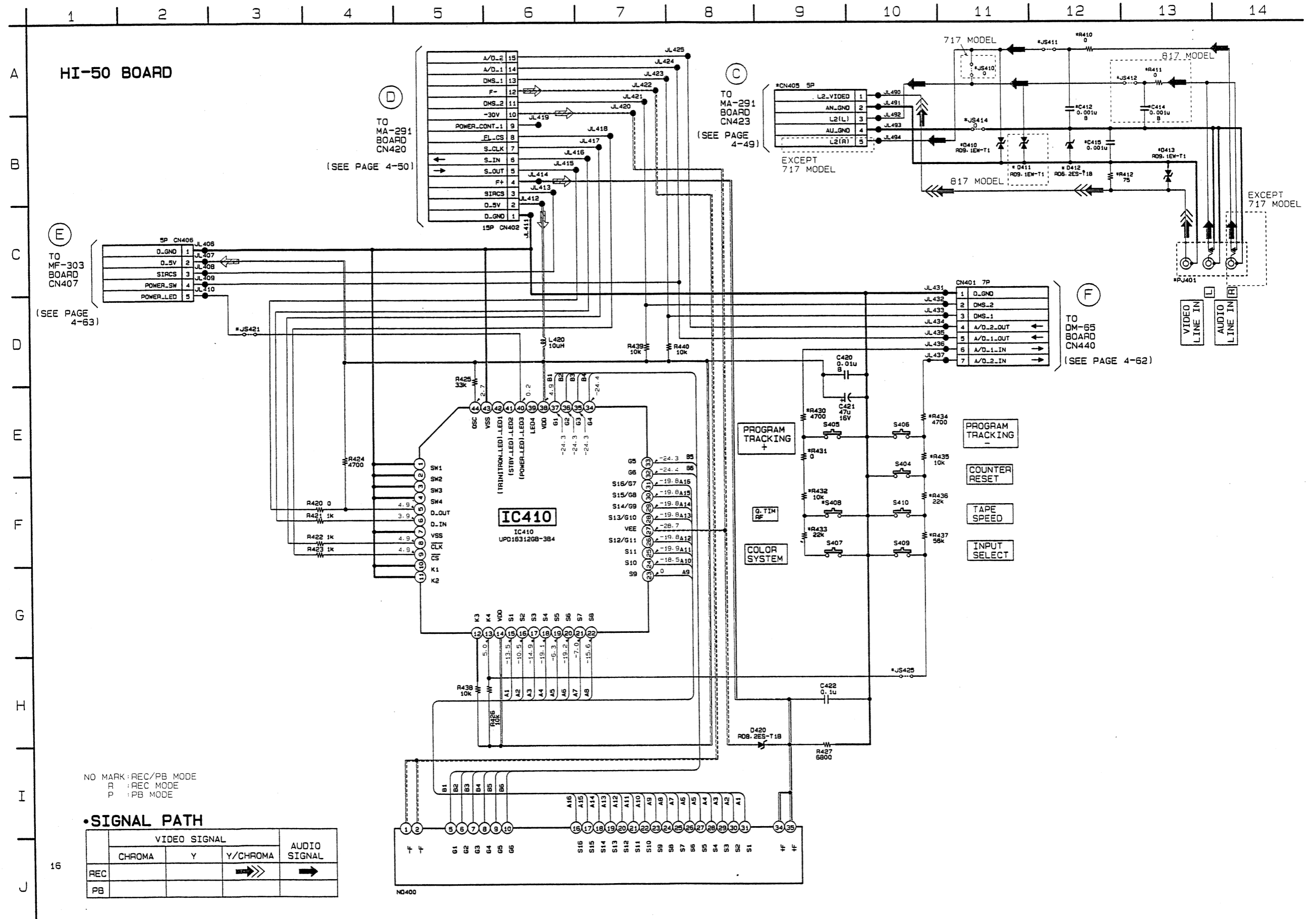


MF-302 BOARD

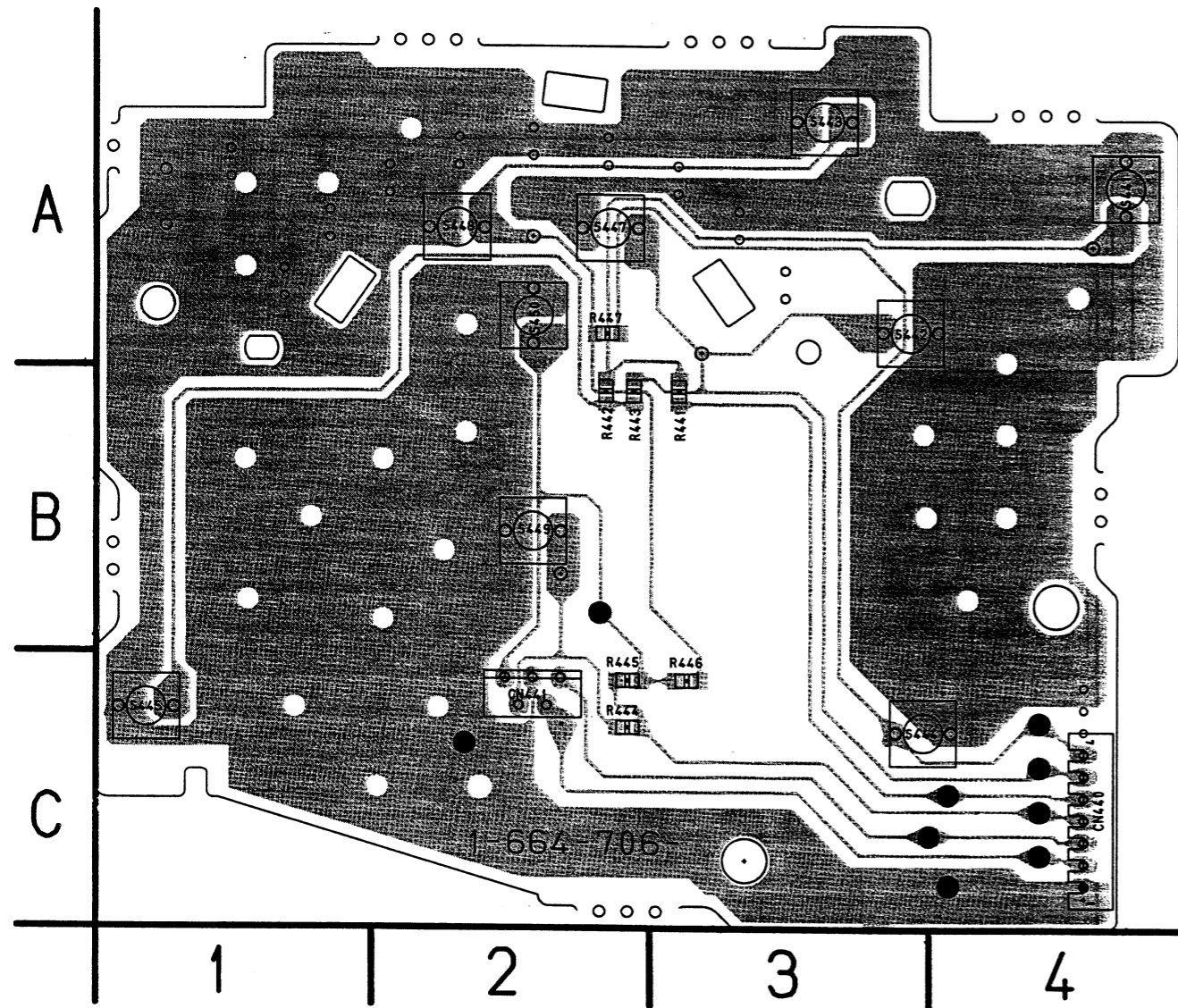


HI-50 (MODE CONTROL SWITCHES) SCHEMATIC DIAGRAM
— Ref. No. HI-50 Board; 4,000 Series —

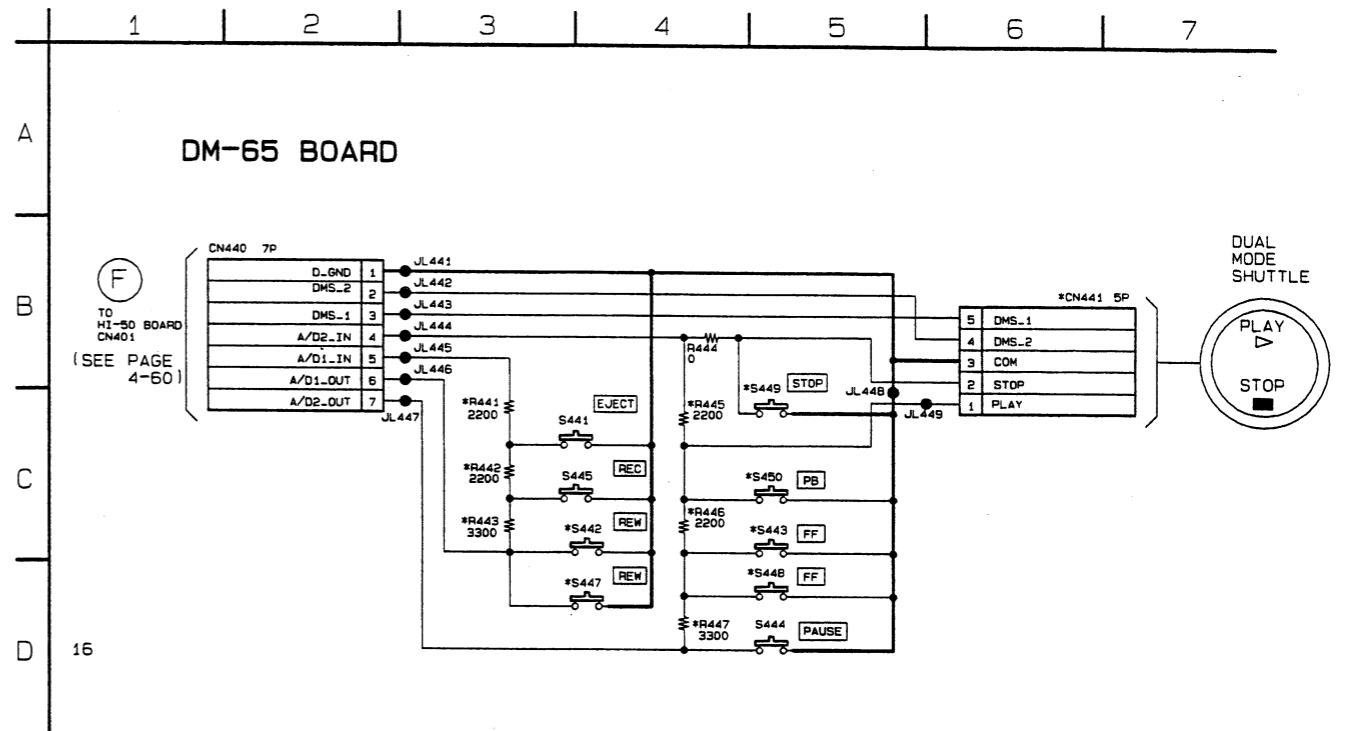
• See page 4-57 for HI-50 BOARD printed wiring board.



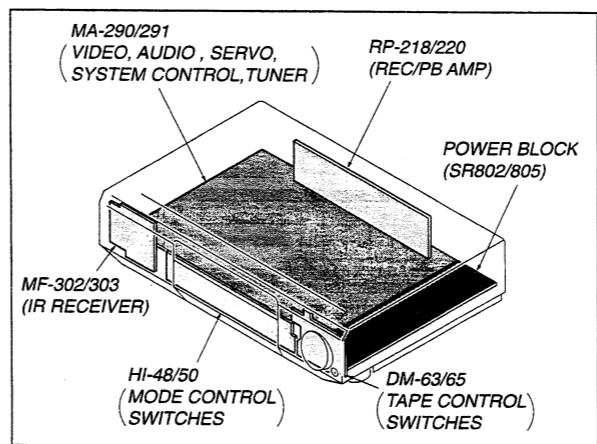
DM-65 BOARD (CONDUCTOR SIDE)



There are few cases that the part printed on this diagram isn't mounted in this model.



12

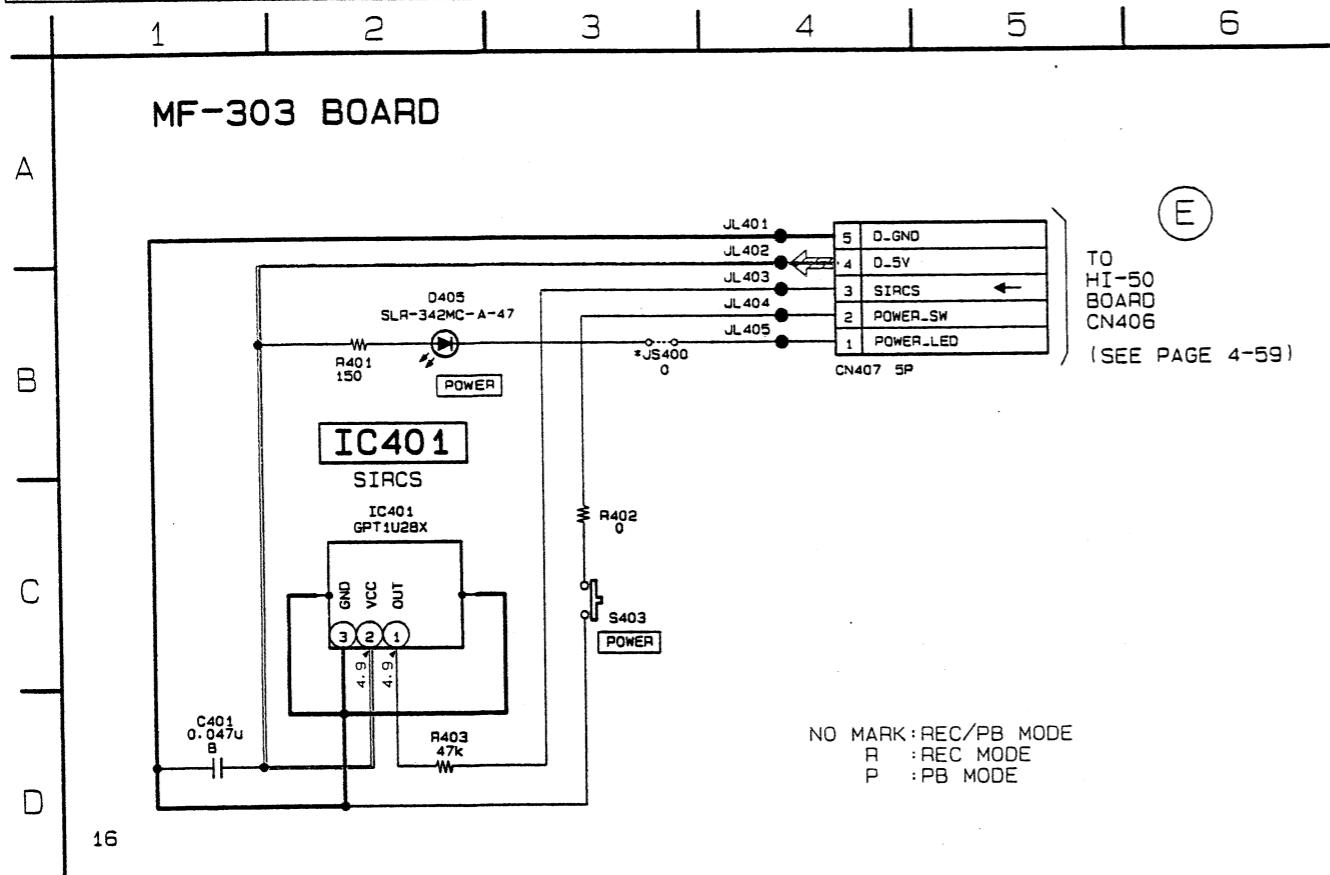


SLV-X717ME/X717PS/X717SG/X817ME/X817PS/X817SG/
X827AS/X827MN/X827NZ/X837AS/X837ME/X837MN

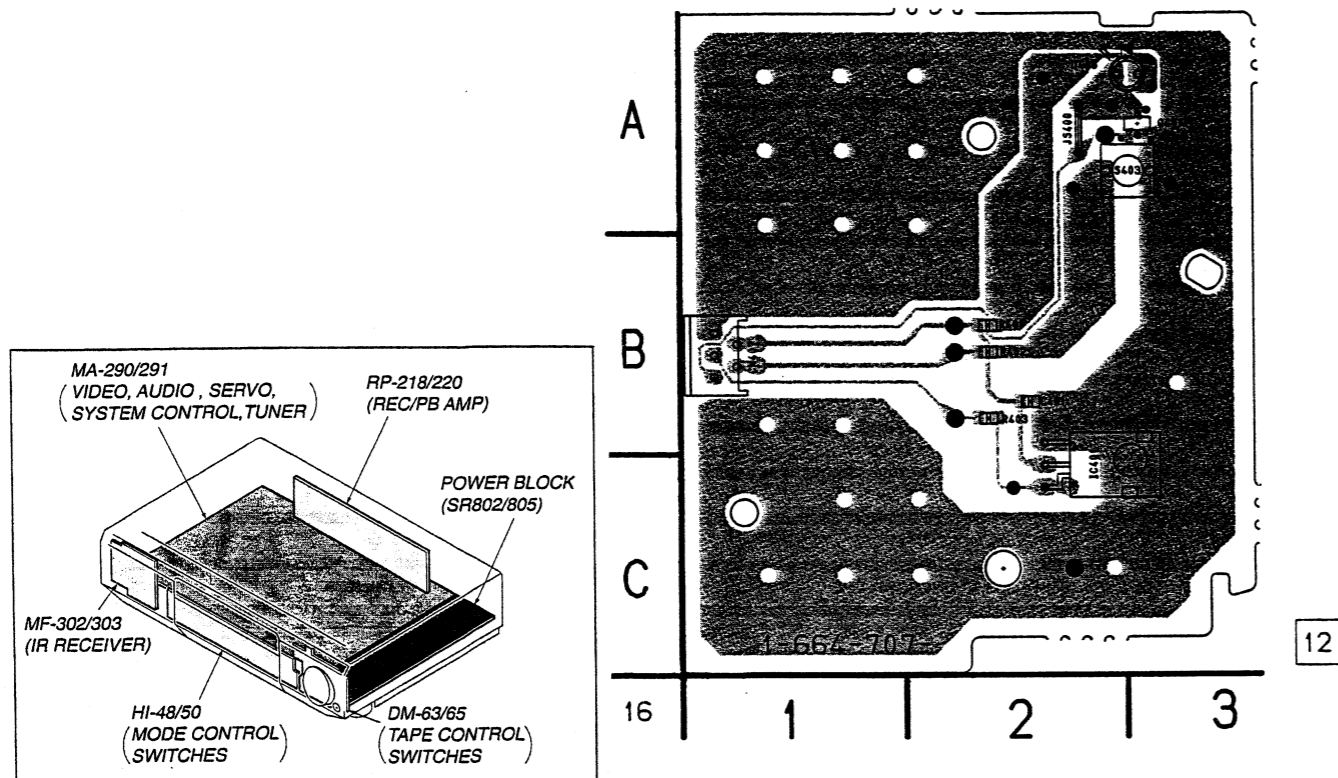
MF-303 (IR. RECEIVER) PRINTED WIRING BOARD AND SCHEMATIC DIAGRAM

— Ref. No. MF-303 Board; 4,000 Series —

There are few cases that the part printed on this diagram isn't mounted in this model.

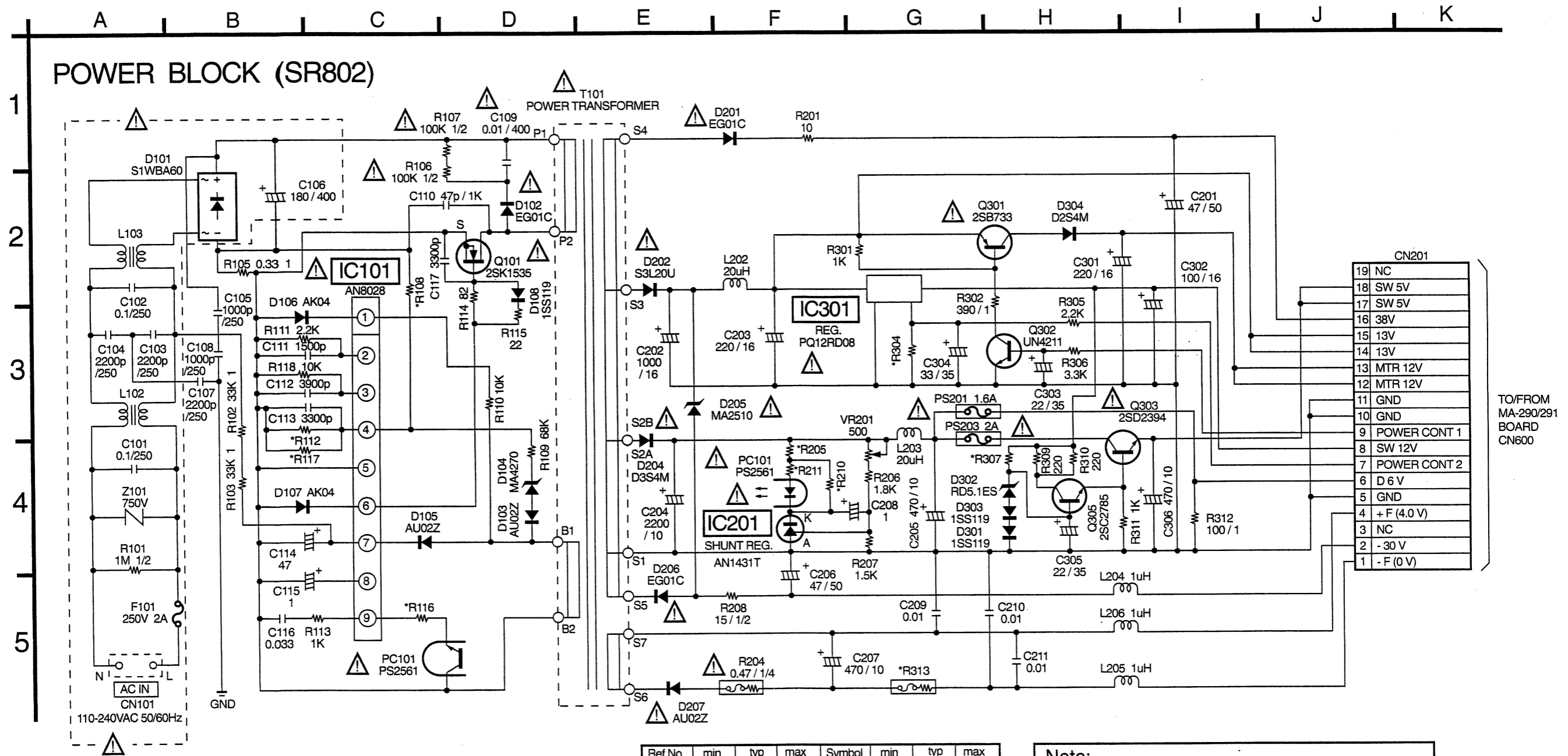


MF-303 BOARD (CONDUCTOR SIDE)



POWER BLOCK SR802 (EXCEPT SLV-X827 AS/X827NZ/X837AS) SCHEMATIC DIAGRAM
— Ref. No. SR802 Board; 5,000 Series —

• See page 4-65 for SR802 BOARD printed wiring board.



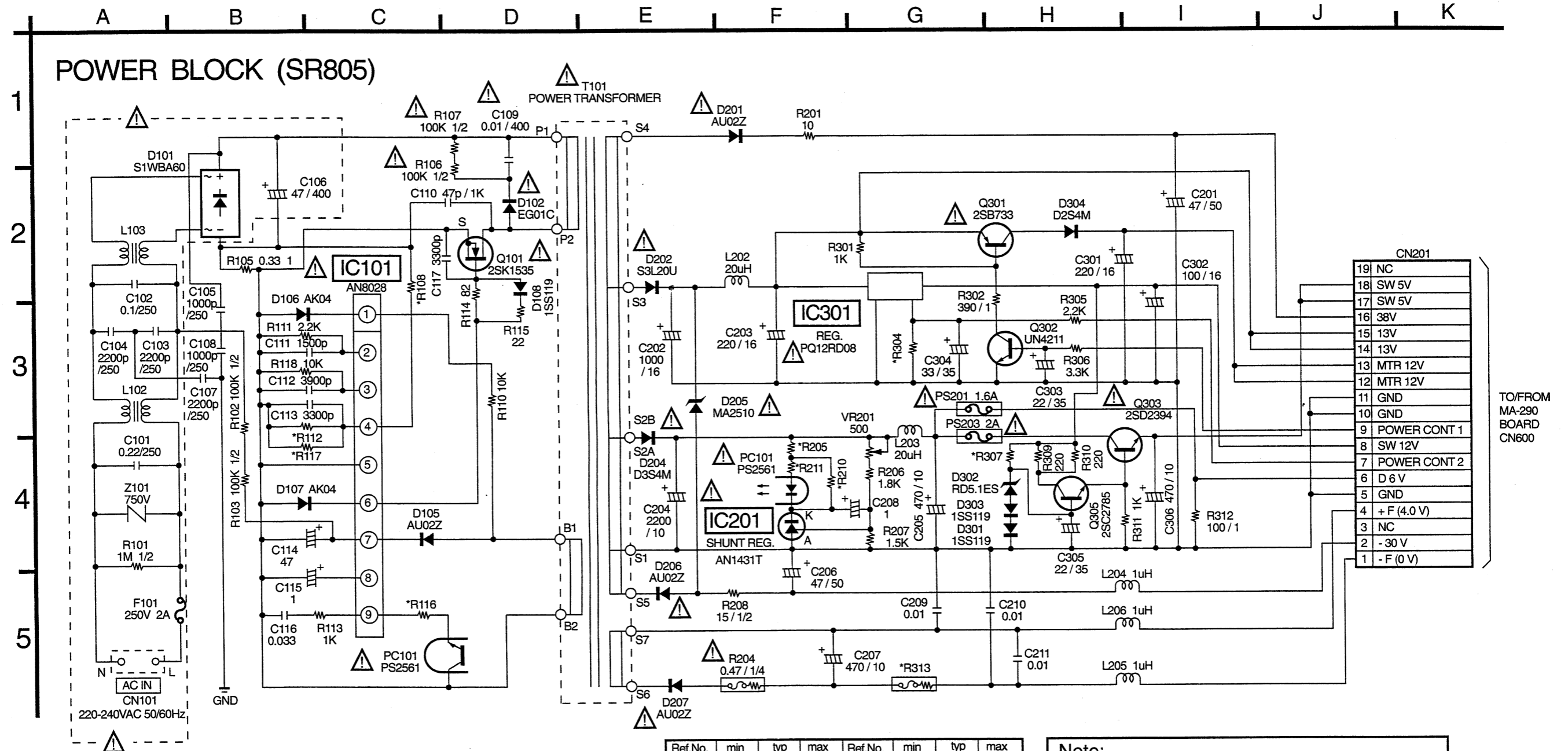
Ref.No.	min	typ	max	Symbol	min	typ	max
*R108	470 1/2	470 1/2	500 1/2	*R210	—	3.3K	5.6K
*R112	270	330	330	*R211	220	1K	1.5K
*R116	1.5K	1.8K	2.2K	*R304	—	—	—
*R117	—	—	100K	*R307	380	560	1K
*R205	—	—	—	*R313	2.2 1/4	2.7 1/4	3.9 1/4

Note:
The components identified by mark Δ or dotted line with mark Δ are critical for safety.
Replace only with part number specified.

POWER BLOCK SR805 (SLV-X827AS/X827NZ/X837AS) SCHEMATIC DIAGRAM

— Ref. No. SR805 Board; 6,000 Series —

• See page 4-69 for SR805 BOARD printed wiring board.



Pin	Signal
19	NC
18	SW 5V
17	SW 5V
16	38V
15	13V
14	13V
13	MTR 12V
12	MTR 12V
11	GND
10	GND
9	POWER CONT 1
8	SW 12V
7	POWER CONT 2
6	D 6V
5	GND
4	+ F (4.0 V)
3	NC
2	-30 V
1	-F (0 V)

TO/FROM
MA-290
BOARD
CN600

Ref.No.	min	typ	max	Ref.No.	min	typ	max
*R108	330 1/2	470 1/2	680 1/2	*R210	—	3.3K	5.6K
*R112	270	330	330	*R211	220	1K	1.5K
*R116	1.5K	1.8K	2.2K	*R304	—	—	—
*R117	—	—	100K	*R307	380	560	1K
*R205	—	—	—	*R313	2.2 1/4	2.7 1/4	3.9 1/4

Note:
The components identified by mark Δ or dotted line with mark Δ are critical for safety.
Replace only with part number specified.