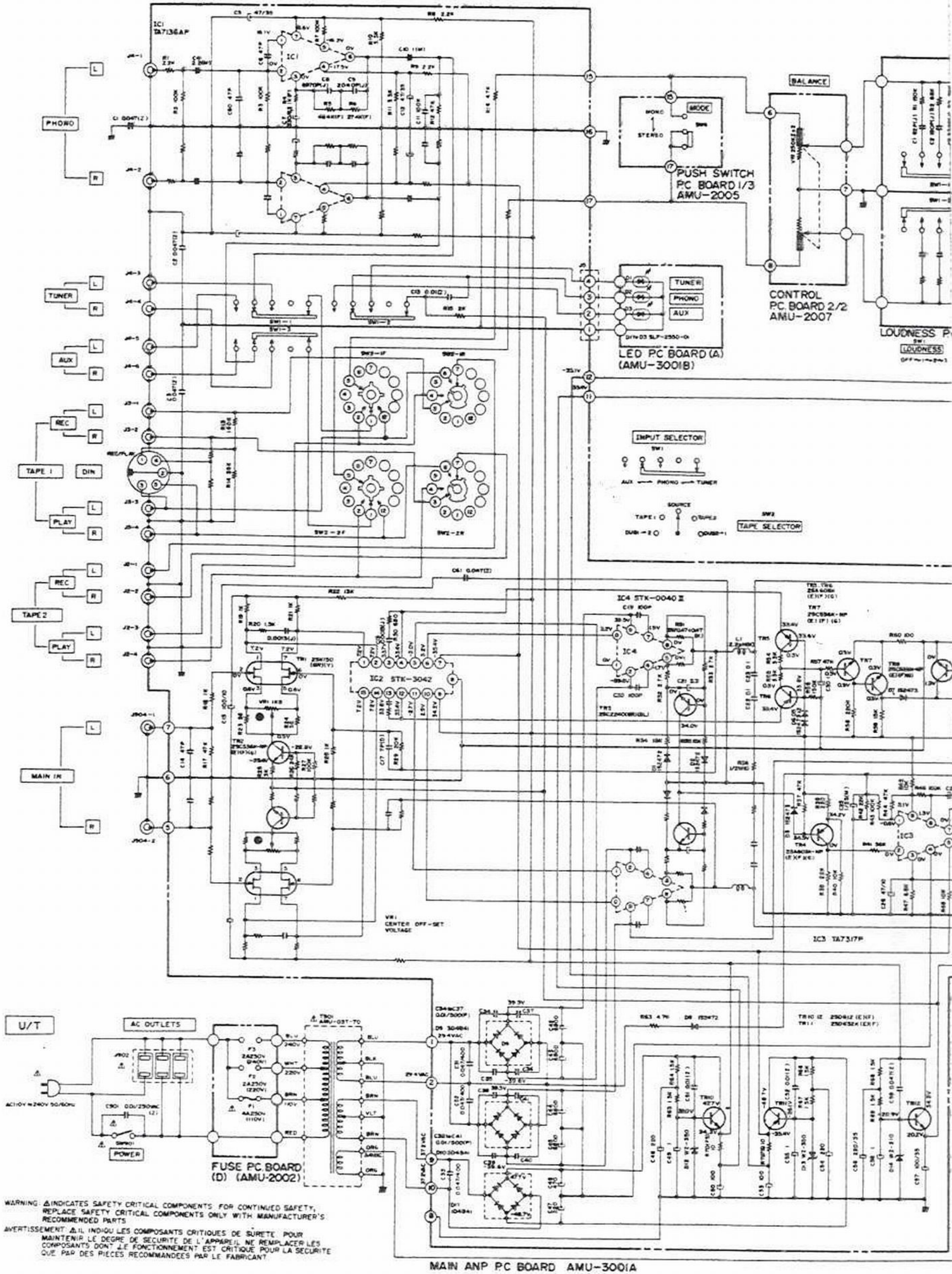


# DC STEREO INTEGRATED AMPLIFIER

## MODEL AM-U03

ALSO APPLICABLE TO BLACK PANEL MODEL

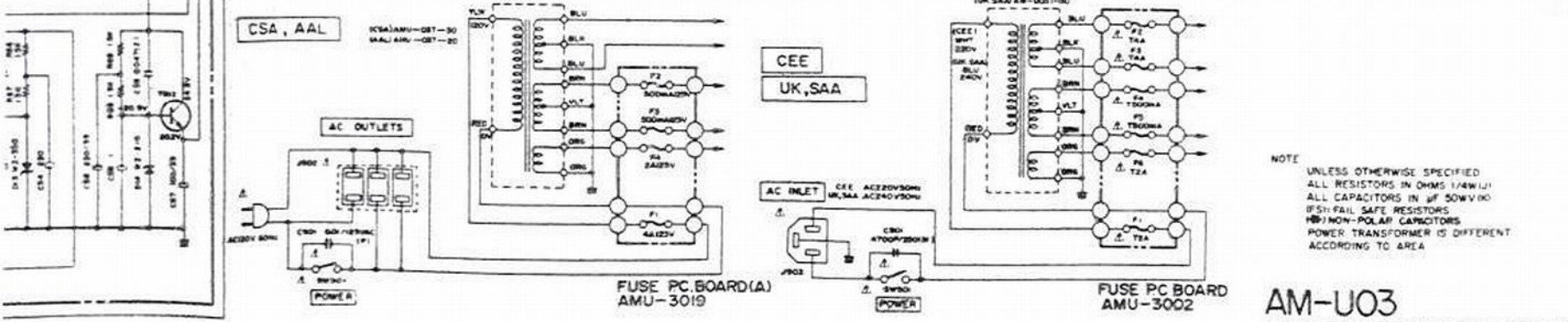
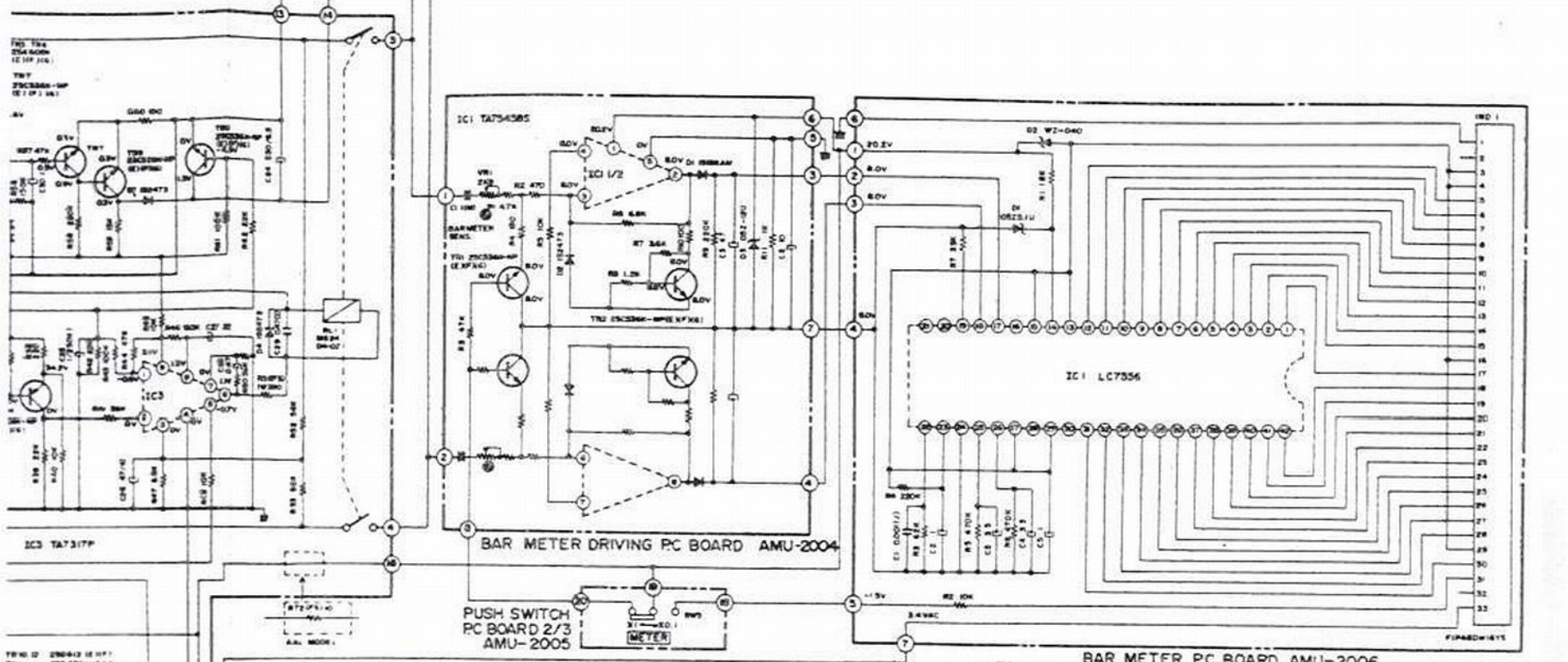
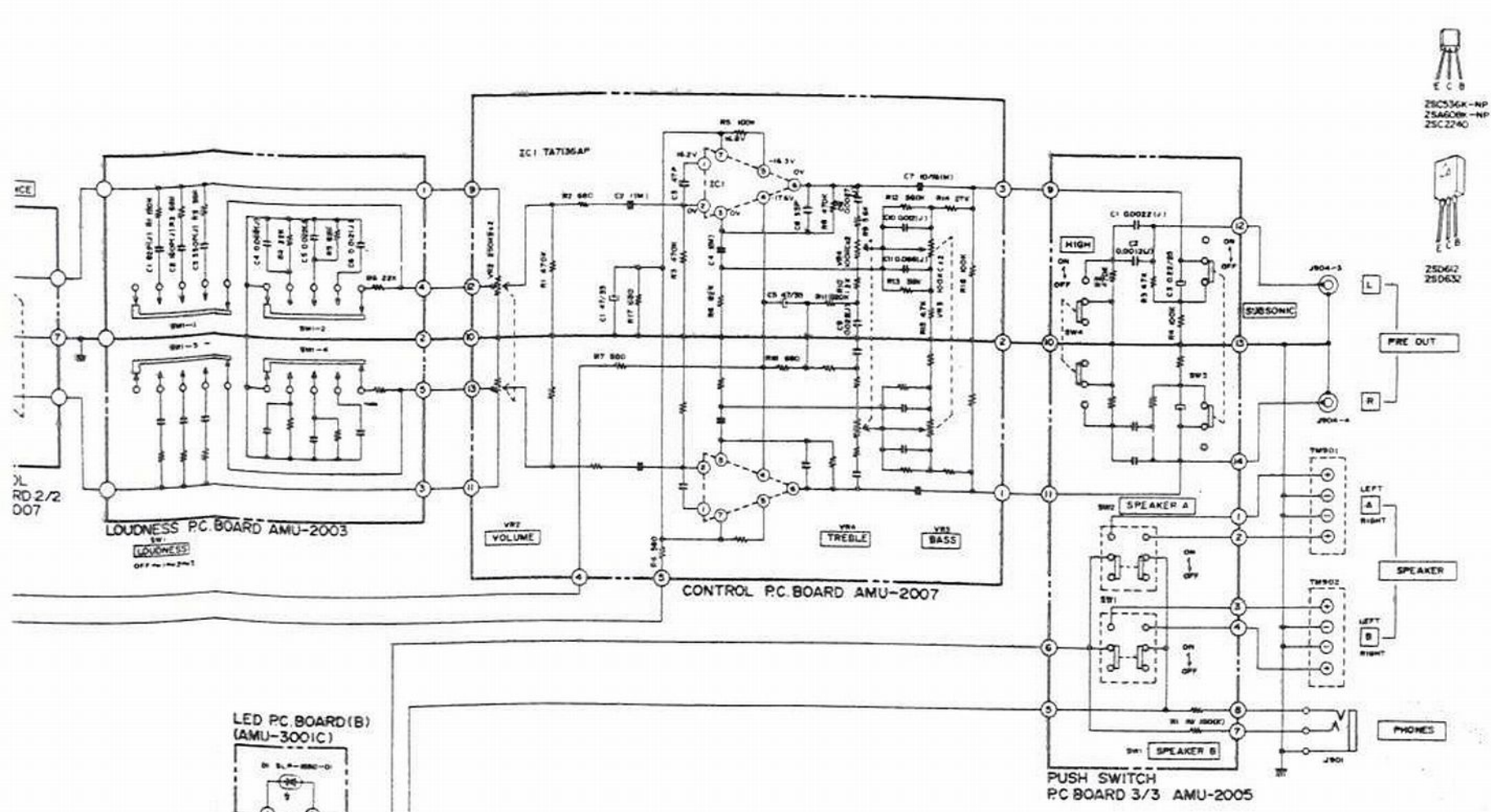
SECTION 1	SERVICE MANUAL .....	3
SECTION 2	PARTS LIST .....	19
SECTION 3	SCHEMATIC DIAGRAM .....	31



WARNING  $\Delta$  INDICATES SAFETY CRITICAL COMPONENTS FOR CONTINUED SAFETY, REPLACE SAFETY CRITICAL COMPONENTS ONLY WITH MANUFACTURER'S RECOMMENDED PARTS

AVERTISSEMENT  $\Delta$  IL INDIQUE LES COMPOSANTS CRITIQUES DE SURETE POUR MAINTENIR LE DEGRE DE SECURITE DE L'APPAREIL. NE REMPLACER LES COMPOSANTS DONT LE FONCTIONNEMENT EST CRITIQUE POUR LA SECURITE QUE PAR DES PIECES RECOMMANDEES PAR LE FABRICANT.

MAIN ANP PC BOARD AMU-3001A



NOTE  
 UNLESS OTHERWISE SPECIFIED  
 ALL RESISTORS IN OHMS (1/4W 1%)  
 ALL CAPACITORS IN  $\mu$ F 50V VDC  
 (F) FAIL SAFE RESISTORS  
 (N) NON-POLAR CAPACITORS  
 POWER TRANSFORMER IS DIFFERENT  
 ACCORDING TO AREA

**AM-U03**  
**SCHEMATIC DIAGRAM**  
 No.1600842A